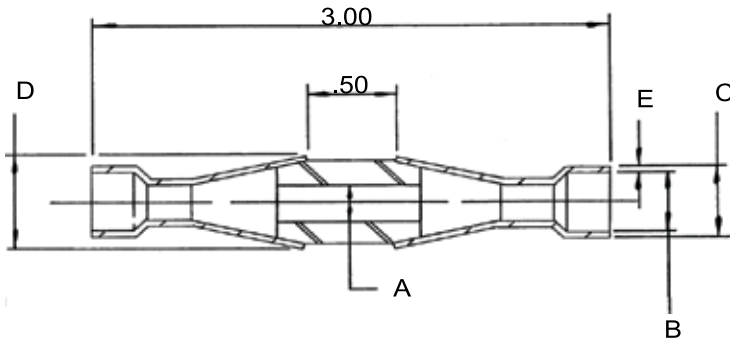
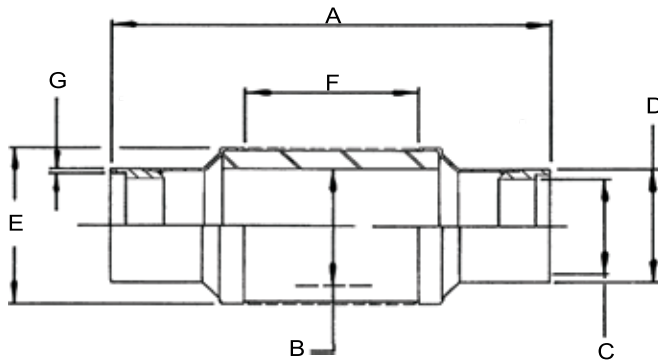


1/4", 3/8", & 1/2" Liquid Breaks 5000 Volts DC



NOM.	MATERIA L	A	B	C	D	E	PART #
1/4	COPPER	.21	.255	.32	.59	.035	A0579-2-W
3/8	COPPER	.25	.380	.44	.59	.035	A0579-1-W
1/2	COPPER	.41	.505	.59	.74	.040	A0580-1-W

3/4" to 1-1/2" Vacuum Breaks to 60,000 Volts DC



NOM.	VOLTS	A	B	C	D	E	F	G	PART #
3/4	5KV	1.90	.75	.63	.75	1.00	.30	.035	A5266-1-W
3/4	15KV	2.60	.75	.63	.75	1.00	1.00	.035	A0584-1-W
3/4	30KV	4.60	.75	.63	.75	1.00	2.00	.035	A1743-1-W
1-1/2	5KV	2.20	1.25	1.37	1.50	1.66	.25	.065	A0594-1-W
1-1/2	30KV	3.80	1.25	1.37	1.50	1.66	2.00	.065	A0594-2-W
1-1/2	60KV	5.90	1.25	1.37	1.50	1.66	4.00	.065	A0594-3-W