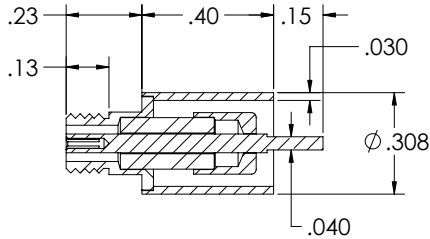


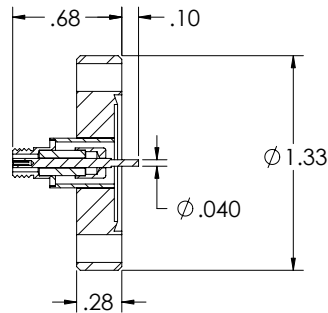
MICRODOT 500 Volts DC / 2 Amps Air-side Connector Included

WELDABLE



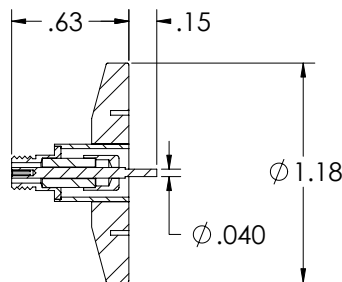
TYPE	PART #
SINGLE-ENDED	A1634-1-W

CONFLAT FLANGE



TYPE	PART #
SINGLE-ENDED	A1648-1-CF

QUICK FLANGE



TYPE	PART #
SINGLE-ENDED	A1649-1-QF

See Section 7 for connectors, wiring, and other accessories.

