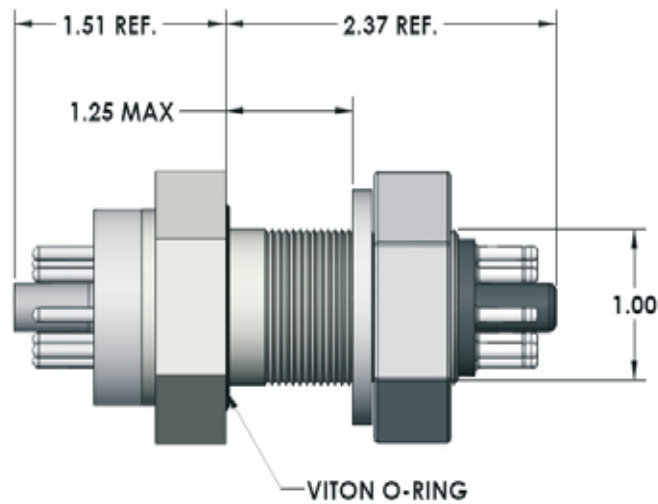


1000 Volts / 5 Amps per Pin / 8 Pins
 Air and Vacuum-side Connectors Included
 1" B ASEP LATE



PINS	AMPS *	PART #
8	5	A3533-1-BP

* Max amperage all pins loaded

See Section 7 for connectors, wiring, and other accessories.

